



CAD/CAM solutions for footwear design, development and manufacture

Engineer the heel



Shoemaster^{QS} Mamecc ThinkHeels

Equipment:

- 3D optical digitisers
- 3D contact digitisers
- 3D manual digitisers
- CNC milling machines
- Rapid prototyping machines
- Drawing plotters and colour printers

Other related products:

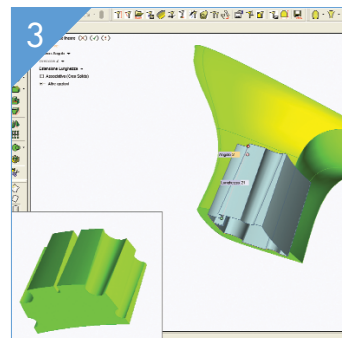
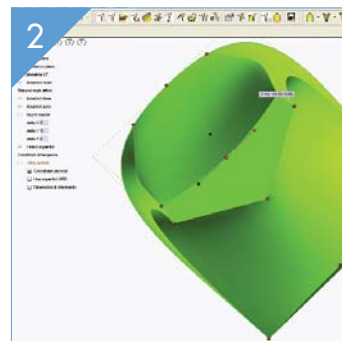
- Shoemaster^{QS} Creative
- Shoemaster^{QS} Power
- Shoemaster^{QS} SoleDesign
- Sourcing
- e-Last

Product benefits:

- Dramatic time reduction of heel mould design and engineering process.
- Improve communications between designers and heel makers.
- 3D modelling of complex heels for CAD users of all abilities.
- Increase productivity of CAM and CNC milling machines.
- Quick evaluation of new design concepts.
- Quick reaction to market requests.

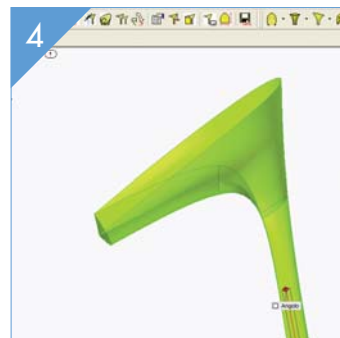
Product overview

Mamecc ThinkHeels is 3D specialist software for the modelling, prototyping and mould production of heels. The software is based on established CAD/CAM methodology that permits complex models to be made in only a few minutes after only minimal training. Global Shape Modification commands enable any number of design changes to be made to the heel quickly and simply. The system has no design limits, any model can be made.



Product features:

- 1 Open system – import/export to CAD and CNC.
- 2 Model setting – view and modify dimensions.
- 3 Modelling – fast and simple.
- 4 Parametric functionalities – links features to the heel design.
- 5 CAM – output to dedicated heel prototyping CNC.



Results:

- 2D technical drawings.
- 3D data for CNC maquette.
- 3D data for CNC mould making.
- Rapid prototyping maquette.
- Rotating 3D virtual heel (textured).
- 3D heel for virtual shoe visualisation.
- Photographic quality images of virtual heel.

